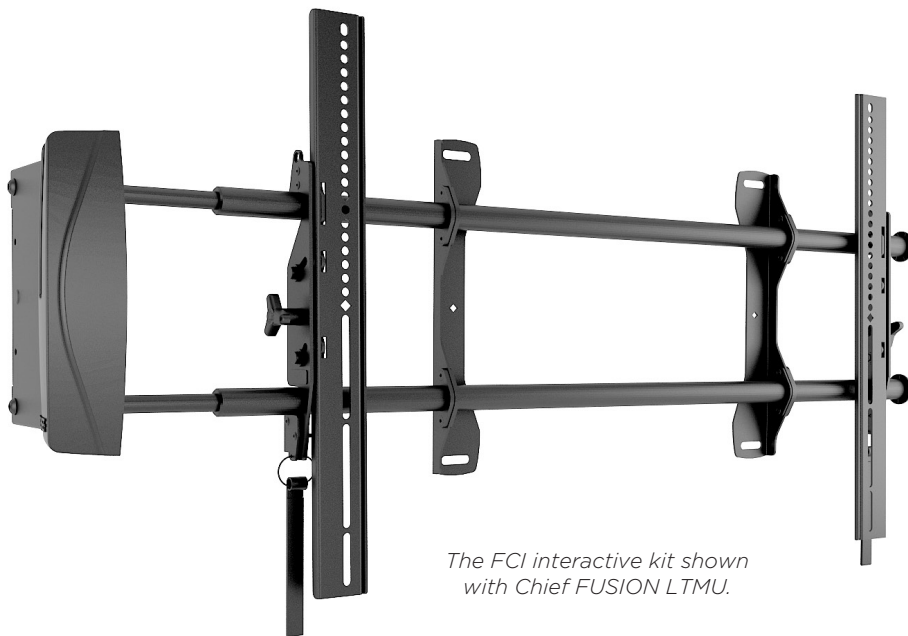




INTERACTIVE MADE EASY

We at Chief are expanding our award-winning series of interactive mounts to include flat panel and ceiling-mounted projector solutions. Combined with flexible, user-friendly mounting solutions, these new accessories easily convert standard TVs and projectors into a common interactive environment powered by eBeam™ Technology.



The FCI interactive kit shown with Chief FUSION LTMU.



Lightweight Interactive Stylus provides real-time rendering capability.

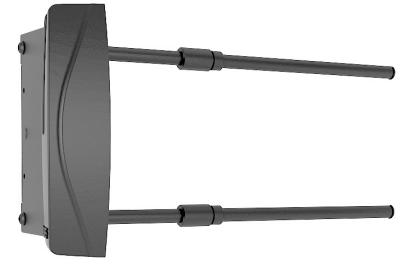
CHIEF INTERACTIVE - OVERVIEW

- Built-in receiver turns standard flat panels and projectors into interactive solutions, powered by eBeam Technology
- Simple 3-step installation:
 1. Install interactive accessory
 2. Install eBeam's business (PC) or education (Mac or PC) software
 3. Connect computer to sensor via included USB cable
- Lightweight, ergonomic stylus provides exceptional, real-time software navigation and annotation capabilities
- Powerful interactive software is compatible with your favorite PC and Mac applications
- Provides easy upgrade path for future TV and projector service and replacement, without losing interactive capabilities



FLAT PANEL

- Available in three models for most Chief flat panel mounts:
 - Fusion – FCI Interactive Kit
 - Fixed and tilt wall mounts
 - Thinstall – TAI Interactive Kit
 - Low profile swing arm wall mounts
 - ClickConnect mounts – PACI Interactive Kit
 - Mobile carts and stands
 - Large swing arm wall mounts
- Engineered for easy installation with designs similar to Chief side speaker adapters
- Grooves on receiver act as guides for achieving ideal sensor placement
- Display requirements:
 - Rigid front panel to protect LCD from wear
 - 40" – 55" LED-backlit LCD to reduce interference with the sensor due to excessive heat
 - Bezel depth of 8 mm (0.33") or less for optimal performance in display corners



FCI

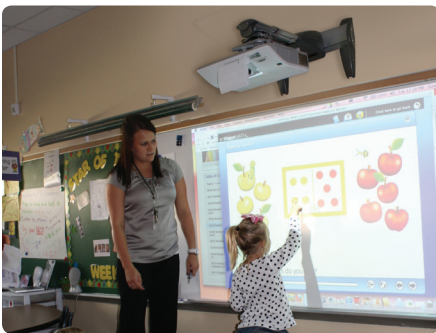
CEILING-MOUNTED PROJECTORS

- Interactive accessory CMSI for use with ceiling mounted projectors
- Mounts permanently on wall above existing whiteboards
- Works with existing projector installations, as well as future upgrades
- Aesthetic design and brushed aluminum finish blend into any environment



CMSI

SUCCESS WITH CHIEF INTERACTIVE



Gretna School District in Nebraska, USA, installed multiple Chief interactive short throw mounts at the beginning of the 2011-2012 school year. The result has been a complete success. Teachers and students adapted flawlessly, with noticeably improved engagement and efficiency. Integration went so well, the district is planning to install Chief Interactive in two additional schools being built this year.

To learn more, read the complete case study at www.chiefmfg.com/gretna



A DIVISION OF MILESTONE AV TECHNOLOGIES ■ www.chiefmfg.com

USA P 800.582.6480 / +1.952.894.6280 ■ F 877.894.6918 / +1.952.894.6918 ■ chief@chiefmfg.com
 Canada P 877.345.4329 ■ F 888.377.5314 ■ info@chiefmounts.ca
 EMEA P +31 495 580 852 ■ F +31 495 580 845 ■ europe.chief@milestone.com
 Asia Pacific P +852 2145 4099 ■ F +852 2145 4477 ■ asia.chief@milestone.com