



# INVERT YOUR INSTALL\*

with CHIEF projector mounts & accessories

The market for interactive floor projection is growing, as are the challenges that come with inverted projector installations. The solution? Combine Chief's industry-leading RPA® projector mount and SpeedConnect™ accessories to simplify installation and maintenance.

*\*Vertical solutions are only recommended for projectors that are approved to operate in vertical orientations.*

RPA SPECIFICATIONS	
Roll	±4°
Pitch	±25°
Yaw	90°
Dimensions* (HxWxD)	1.75" x 6.5" x 5.5" (44 x 165 x 140 mm)
Color, Custom	Black
Color, Universal	Black, Silver, White
Weight Capacity	50 lbs (22.7 kg)

*\* Dimensions do not include interface bracket.*

## RECOMMENDED CONFIG.

- RPAU Universal Projector Mount
- CMA365 Truss Adapter
- CMS003 Fixed Extension Column
- CMA273 Threaded End Cap
- CMS Extension Column
- CMA Ceiling Plate or Structural Adapter



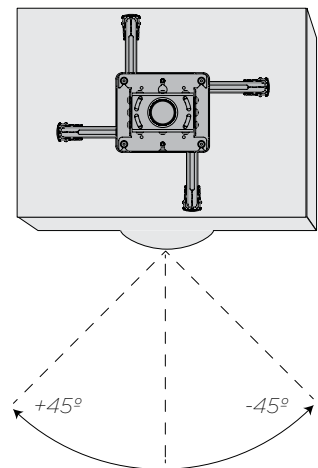
*Shown with CMS024 fixed extension column, CMA365 Truss Ceiling Adapter, CMA273 Threaded End Cap, CMS003 fixed extension column, & RPAU Universal projector mount.*



### Installation Tip

Align RPA mount with the locking slots opening toward the ceiling and restrict yaw adjustment to 90 degrees\* to ensure a secure installation.

*\*See illustration at right.*

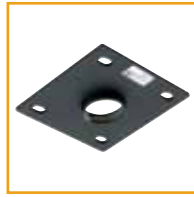


## WHY USE CHIEF

- Industry-leading RPA projector mount features independent roll, pitch and yaw for quick and precise registration
- Easy projector disconnect provides convenient lamp and filter access without affecting registration
- Exclusive All-Points® Security protects against theft
- Wide variety of extension columns and ceiling adapters to solve even the toughest environmental installation challenges



CUSTOMIZE YOUR INSTALL



■ Flat ceiling plates



■ Offset ceiling plates  
■ Unistrut adapters



■ Dual-joint ceiling adapter



■ Angled ceiling plates



■ I-Beam clamps



■ Truss adapters  
■ And much more...

CHOOSE A FIXED OR ADJUSTABLE EXTENSION COLUMN IN THE LENGTH REQUIRED

**CMSOXXOXX** Adjustable Extension Columns

- Aluminum extension columns feature notched design for adjustment without disassembly
- Flow-through cable management with cable exit port (12" [305 mm] or longer)
- Weight Capacity: 500 lbs (227 kg)
- Available in black, silver and white



Model	Length	Model	Length
CMS006009	6-9" (152-229 mm)	CMS0406	4-6' (1.2-1.8 m)
CMS009012	9-12" (229-305 mm)	CMS0507	5-7' (1.5-2.1 m)
CMS012018	12-18" (305-457 mm)	CMS0608	6-8' (1.8-2.4 m)
CMS018024	18-24" (457-610 mm)	CMS0709	7-9' (2.1-2.7 m)
CMS0203	2-3' (0.6-0.9 m)	CMS0810	8-10' (2.4-3.1 m)
CMS0305	3-5' (0.9-1.5 m)	CMS0911	9-11' (2.7-3.4 m)
		CMS1012*	10-12' (3.1-3.7 m)

\* Cannot ship by UPS due to length.

**CMSOXX** Fixed Extension Columns

- Aluminum extension columns feature easy installation and maximum strength
- Flow-through cable management with cable exit port (9" [229 mm] or longer)
- Weight Capacity: 500 lbs (227 kg)
- Available in black, silver and white



Model	Length	Model	Length
CMS003*	3" (76 mm)	CMS024	2' (0.6 m)
CMS006*	6" (152 mm)	CMS036	3' (0.9 m)
CMS009	9" (229 mm)	CMS048	4' (1.2 m)
CMS012	12" (305 mm)	CMS060	5' (1.5 m)
CMS018	18" (457 mm)	CMS072	6' (1.8 m)

\* Steel construction.

**CHIEF**

■ A DIVISION OF MILESTONE AV TECHNOLOGIES ■ [www.chiefmfg.com](http://www.chiefmfg.com)

USA ■ P 800.582.6480 / +1.952.894.6280 ■ F 877.894.6918 / +1.952.894.6918 ■ [chief@chiefmfg.com](mailto:chief@chiefmfg.com)  
 Canada ■ P 877.345.4329 ■ F 888.377.5314 ■ [info@chiefmounts.ca](mailto:info@chiefmounts.ca)  
 EMEA ■ P +31 40 23 24 700 ■ F +31 40 23 24 710 ■ [europe.chief@milestone.com](mailto:europe.chief@milestone.com)  
 Asia Pacific ■ P +852 2145 4099 ■ F +852 2145 4477 ■ [asia.chief@milestone.com](mailto:asia.chief@milestone.com)

©2011 Milestone AV Technologies, a Duchossois Group Company. 11012A 10/11. Chief is a registered trademark of Milestone. All other brand names or marks are used for identification purposes and are trademarks of their respective owners. All patents are protected under existing designations. Other patents pending.

