



CARTS & STANDS STS1 18 - 30" TABLE STAND



FEATURES

- 1 FINGERTIP TILT**
Provides smooth fingertip tilt in all directions using the screen's center of gravity. Screen angle stays set until you decide to re-adjust.
- 2 SMOOTH SWIVEL**
Easily adjust viewing the angle with set swivel range options of $\pm 45^\circ$, 90° or 135° .
- 3 HEIGHT ADJUSTABLE**
Provides up to 7" (178 mm) of tool-less vertical adjustment for a flexible installation.
- 4 CABLE MANAGEMENT**
Easily route and conceal cables through an integrated column channel for a clean finish.
- 5 BOLT-DOWN SECURITY**
Achieve a secure installation with a bolt-down base to prevent theft.

WHAT YOU NEED TO KNOW

ABOUT STS1

Compatible with 75 x 75 mm and 100 x 100 mm VESA® patterns.

APPLICATION RECOMMENDATION

Ideal for point-of-sale and hospitality applications

SPECIFICATIONS

Height Adjust 7" (178 mm)

Tilt 15° in all directions

Swivel Options $\pm 45^\circ$, 90° , 135°

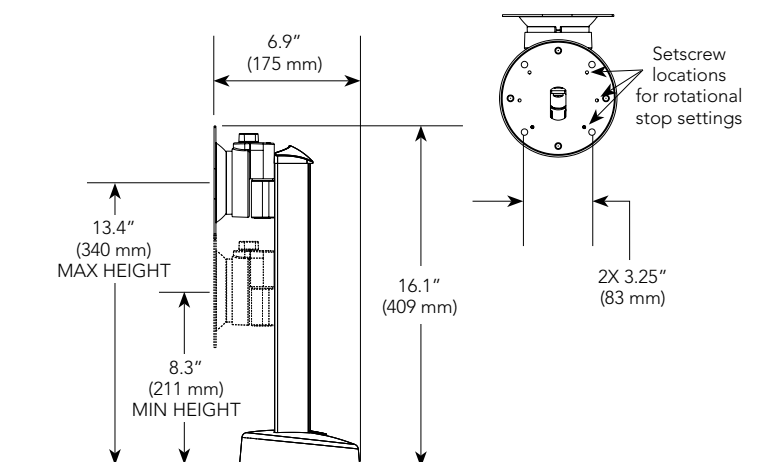
Weight Capacity 30 lbs (13.6 kg)

Colors Black

POINT-OF-SALE APPLICATION



TECHNICAL DRAWINGS



CHIEF

■ A DIVISION OF MILESTONE AV TECHNOLOGIES ■ www.chiefmfg.com

Milestone AV Technologies

■ P 800.582.6480/952.894.6280

■ F 877.894.6918/952.894.6918

■ chief@chiefmfg.com

©2011 Milestone AV Technologies, a Duchossois Group Company. 110012 1/11. Chief is a registered trademark of Milestone. All other brand names or marks are used for identification purposes and are trademarks of their respective owners. All patents are protected under existing designations. Other patents pending.

