



STYLE WITH STRENGTH & FLEXIBILITY

The new Kontour™ Series monitor arms create efficient, productive and ergonomic workspaces. Elegantly designed with the strength of a forged aluminum body, Kontour mounts offer innovative features, easy installation, and a stylish design at a great value.



Effortless Extension

Arms swivel and extend providing a wide range of motion for perfect monitor placement.

Heavy Duty Design

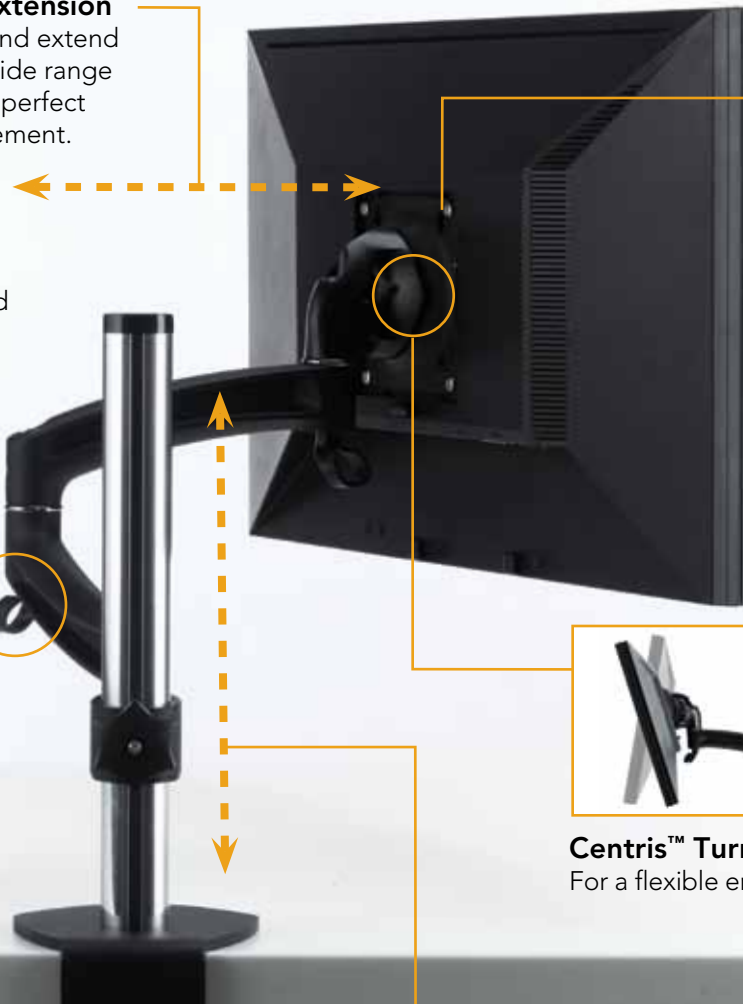
Sleek, solidly constructed forged aluminum arms with attractive color accents. Available in black and silver.



Cable Management

Tool-free cable management guide clips route cables for a clean, professional look.

K2C100



Fast Installation

Tear-drop hole pattern for easy mounting and maintenance.



Centris™ Turn-Tite Tilt

For a flexible ergonomic solution.



Height Adjustment

Mounting arm slides vertically along column for ideal positioning.

Kontour™



KONTOUR SERIES MONITOR MOUNTS

SWIVEL COLUMN MOUNTS



K2C100

K2C200

SWIVEL WALL MOUNTS



K2W100

K2W200

Model Descriptions	Extension	Height Assist	Centris Extreme Tilt	Desktop Clamp Range	Weight Range	Colors
COLUMN CLAMP OPTIONS						
K2C100 - Single Monitor, K2C200 - Dual Monitor	19.2" (490 mm)	9.63" (245 mm)	-15° / +15°	0.5"–3.25" (12–82 mm)	5–25 lbs (2.3–11.3 kg)	Black, Silver
WALL MOUNT OPTIONS						
K2W100 - Single Monitor, K2W200 - Dual Monitor*	17.2" (437 mm)	NA	-15° / +15°	NA	5–25 lbs (2.3–11.3 kg)	Black, Silver



SERVICE EXCELLENCE

Our products are backed by the best in customer service. Contact any of our Customer Service team members M-F, 7am to 7pm (CST) for assistance.



For more information on these and other products from Chief, the industry leader in AV mounting solutions, visit www.chiefmfg.com.

CHIEF AV SOLUTIONS ■ A DIVISION OF MILESTONE AV TECHNOLOGIES ■ www.chiefmfg.com
Milestone AV Technologies ■ P 800.582.6480/952.894.6280 ■ F 877.894.6918/952.894.6918 ■ chief@chiefmfg.com
Chief Mounts Canada ■ P 877.345.4329 ■ F 888.377.5314 ■ info@chiefmounts.ca
Milestone AV Technologies B.V. ■ P +31 (40) 23 24 700 ■ F +31 (40) 23 24 710 ■ europe.chief@milestone.com
Milestone AV Technologies Ltd ■ P 852 2145 4099 ■ F 852 2145 4477 ■ asia.chief@milestone.com