



Chief's professional line of display mounts and rack systems make it easy to integrate AV components in any area of a stadium. Combine with a full line of supporting accessories to help solve even the toughest installation problems.

Are you a Chief Certified Partner?

Register at www.chiefmfg.com/certification

www.chiefmfg.com

STADIUM

DIGITAL SIGNAGE SOLUTIONS



One-Stop Shop

From digital menu boards to gangable rack systems, Chief's broad range of solutions allow unparalleled flexibility for AV integration in stadium settings. Our mounts and racks are engineered for easy installation, functionality and maximum durability, with a full line of accessories to generate a seamless and fan-friendly experience for years to come.

View our full product offering at www.chiefmfg.com/catalog.



Digital Signage Accessories

Chief's expansive line of accessories make it easy to customize digital signage installations in any stadium situation. Available options include:

- CPU/Media Player Adapters
- Display Connector Kits
- Ceiling Adapters & Extension Columns
- Stabilization Kits
- And much more...



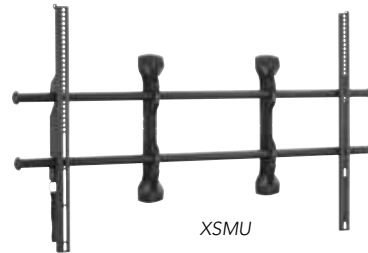
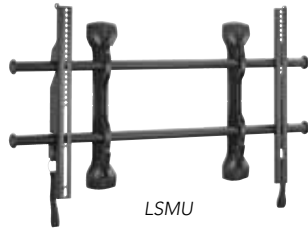
Don't See What You Need?

Chief is committed to providing the very best solution to every challenge. Our knowledgeable sales team and dedicated engineering staff are experienced at handling large-scale projects, utilizing existing products and developing custom solutions for professional and collegiate athletic venues around the globe.

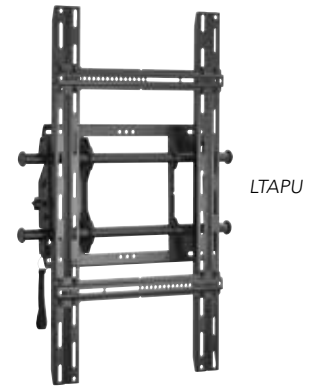
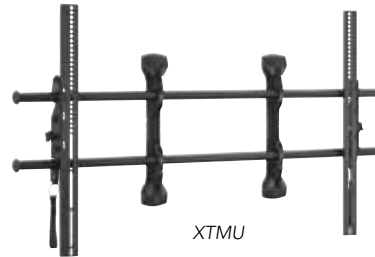
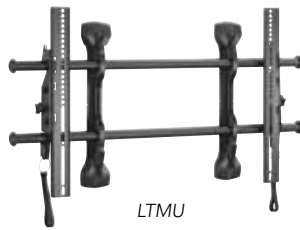
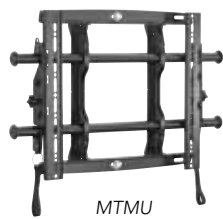
Contact the Chief sales team for more information. To find your representative go to www.chiefmfg.com/sales.




FIXED WALL MOUNTS with ControlZone Height and Leveling Adjustment



TILT WALL MOUNTS with ControlZone Height and Leveling Adjustment



SPECIFICATIONS

Model	TV Size Range	Depth from Wall	Centerless Lateral Shift*	Centris Low-Profile Tilt	Max Mounting Pattern (H,W)	Weight Capacity (single stud, dual stud)
Fixed & Tilt Mounts with ControlZone 						
MSMU	26 - 47"	1.96" (50 mm)	14.5" (368 mm)	-	15.75" (400 mm), 25.2" (640 mm)	75 lbs (34 kg), 125 lbs (56.7 kg)
MTMU	26 - 47"	1.99" (51 mm)	14.5" (368 mm)	0-12°	15.75" (400 mm), 26.18" (665 mm)	75 lbs (34 kg), 125 lbs (56.7 kg)
LSMU	37 - 63"	1.96" (50 mm)	17.5" (445 mm)	-	19.88" (505 mm), 34.25" (870 mm)	200 lbs (90.7 kg)
LTMU	37 - 63"	1.99" (51 mm)	17.5" (445 mm)	0-12°	19.88" (505 mm), 35.35" (898 mm)	200 lbs (90.7 kg)
XSMU	55 - 75"	1.96" (50 mm)	23.5" (597 mm)	-	25.98" (660 mm), 48.23" (1225 mm)	250 lbs (113 kg)
XTMU	55 - 75"	1.99" (51 mm)	23.5" (597 mm)	0-12°	25.98" (660 mm), 49.21" (1250 mm)	250 lbs (113 kg)
Portrait Tilt Mounts						
MTAPU	26 - 47"	2.4" (61 mm)	8.5" (216 mm)	0-10°	23.6" (600 mm), 18.11" (460 mm)	125 lbs (56.7 kg)
LTAPU	37 - 63"	3.37" (86 mm)	11.5" (292 mm)	0-10°	31.5" (800 mm), 20.67" (525 mm)	200 lbs (90.7 kg)

*Varies with screen mounting pattern and stud placement.

CEILING MOUNTS



PCSU



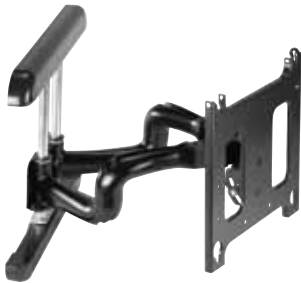
MCSU



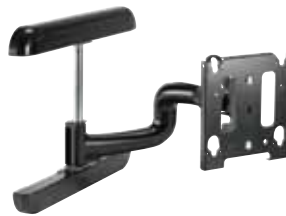
JHSU



SWING ARM WALL MOUNTS



PNRU



MWRU



JWDU

SPECIFICATIONS

Model	TV Size Range	Centris Tilt	Roll	Yaw	Weight Capacity (single stud, dual stud)	
Ceiling Mounts						
PCSU	42 - 71"	-20°/ +5°	+/-2°	360°	200 lbs (90.7 kg)	
MCSU	26 - 47"	-20°/ +5°	+/-2°	360°	125 lbs (56.7 kg)	
JHSU	37 - 45"	+/-15°	+/-2°	360°	75 lbs (34 kg)	
Model	TV Size Range	Extension	Centris Tilt	Swivel	Depth from Wall	Weight Capacity
Swing Arm Mounts						
PNRU	42-71"	25" (635 mm)	+5°/-15°	90° Left/Right	3.25" (83 mm),	200 lbs (90.7 kg)
MWRU	30 - 55"	25" (635 mm)	+5°/-15°	90° Left/Right	3.38" (86 mm),	125 lbs (56.7 kg)
JWDU	26 - 45"	20.4" (518 mm)	+/-15°	90° Left/Right	2.69" (68 mm)	75 lbs (34 kg)

ETA DISPLAY SOLUTIONS

DISPLAY SOLUTIONS

Video Wall and Menu Board App

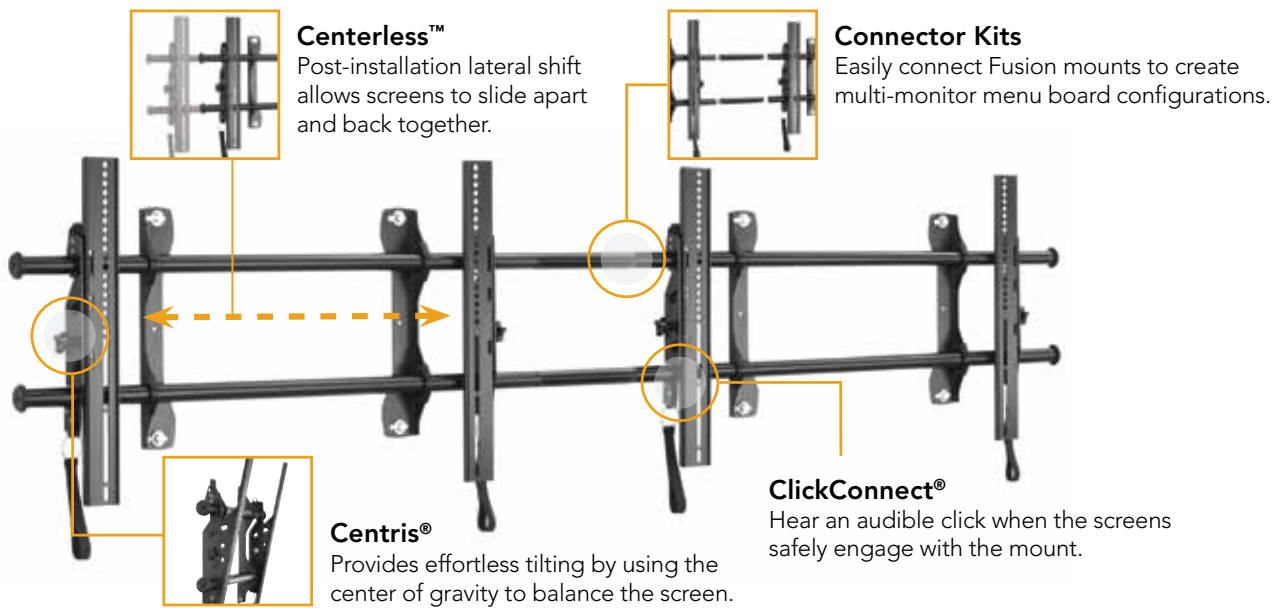
Calculate the mounts and connector kits needed for your next multi-screen installation!

www.chiefmfg.com/fusioncalc

FUSION® MENU BOARD CONNECTOR KITS

Inspired by installers, Chief's Fusion Series mounts include a variety of features and accessories to make installation and maintenance of menu boards a breeze.

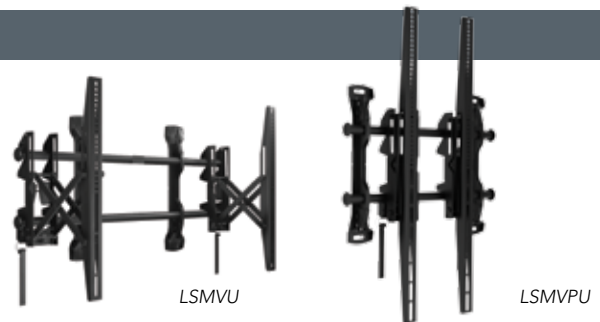
Available in landscape and portrait orientations.



FUSION® VIDEO WALL SOLUTIONS

Chief's Fusion Series Pull-Out mounts extend 7" (178 mm) for easy cable access and servicing in hard-to-reach installations – even on the center-most screen of a video wall.

Available in landscape and portrait orientations.



SPECIFICATIONS

Model	TV Size Range	Extension Range	Plumb Adjust	Centerless Lateral Shift*	Max Mounting Pattern (H,W)	Weight Capacity
Pull-Out Mounts with ControlZone – Landscape						
MSMVU	26–47"	3.7 - 10.7" (94 - 272 mm)	2°	14.5" (368 mm)	15.75" (400 mm), 21.25 (540 mm)	125 lbs (56.7 kg)
LSMVU	37–63"	3.7 - 10.7" (94 - 272 mm)	2°	17.5" (445 mm)	19.88" (505 mm), 30.0" (762mm)	150 lbs (68 kg)
Pull-Out Mounts with ControlZone – Portrait						
MSMVPU	26–47"	3.7 - 10.7" (94 - 272 mm)	2.5°	4.63" (117 mm)	23.62" (600 mm), 15.75" (400 mm)	125 lbs (56.7 kg)
LSMVPU	37–63"	3.7 - 10.7" (94 - 272 mm)	2.5°	5.63" (143 mm)	31.5" (800 mm), 15.75" (400mm)	150 lbs (68 kg)

*Maximum lateral shift shown. Range varies with screen mounting pattern and stud placement.

STADIUM

RACK SOLUTIONS

Chief's Raxxess® Series AV Rack Systems are engineered with strength, flexibility and advanced features to provide a solid, simple installation. A full line of supporting accessories are available, including:

- Doors and Side Panels
- Cooling Fan Panels
- Drawers and Shelves
- Cable Management
- SurgeX Power Management



E1 Series



GAR

SPECIFICATIONS

Model	Rack Height	Overall Depth (A)	Usable Depth (B)	Width (C)	Height (D)	Height w/ Casters (E)
E1 Series Racks						
NE1F2023	20 space	23" (584 mm)	20.25" (514 mm)	23.5" (597 mm)	42" (106.6 cm)	43.4" (110 cm)
NE1F2028	20 space	28" (711 mm)	25.25" (641 mm)	23.5" (597 mm)	42" (106.6 cm)	43.4" (110 cm)
NE1F2823	28 space	23" (584 mm)	20.25" (514 mm)	23.5" (597 mm)	55.9" (141.9 cm)	57.4" (145.7 cm)
NE1F2828	28 space	28" (711 mm)	25.25" (641 mm)	23.5" (597 mm)	55.9" (141.9 cm)	57.4" (145.7 cm)
NE1F3623	36 space	23" (584 mm)	20.25" (514 mm)	23.5" (597 mm)	69.9" (177.5 cm)	71.3" (181.1 cm)
NE1F3628	36 space	28" (711 mm)	25.25" (641 mm)	23.5" (597 mm)	69.9" (177.5 cm)	71.3" (181.1 cm)
NE1F4423	44 space	23" (584 mm)	20.25" (514 mm)	23.5" (597 mm)	83.9" (213 cm)	85.3" (216.6 cm)
NE1F4428	44 space	28" (711 mm)	25.25" (641 mm)	23.5" (597 mm)	83.9" (213 cm)	85.3" (216.6 cm)

Model	Rack Height	Overall Depth (A)	Usable Depth (B)	Height (C)	Height w/ Casters (D)	Power Options
GAR Series Racks						
GAR-35-26	35 space	26" (660 mm)	23" (584mm)	67.4" (171.2 cm)	69.1" (175.5 cm)	LPPS-9 or 12*
GAR-35-32	35 space	32" (813 mm)	29" (737 mm)	67.4" (171.2 cm)	69.1" (175.5 cm)	LPPS-9 or 12*
GAR-40-26	40 space	26" (660 mm)	23" (584 mm)	76.2" (193.5 cm)	77.9" (197.8 cm)	LPPS-9 or 12*
GAR-40-32	40 space	32" (813 mm)	29" (737 mm)	76.2" (193.5 cm)	77.9" (197.8 cm)	LPPS-9 or 12*
GAR-44-26	44 space	26" (660 mm)	23" (584 mm)	83.2" (211.3 cm)	84.9" (215.6 cm)	LPPS-9 or 12*
GAR-44-32	44 space	32" (813 mm)	29" (737 mm)	83.2" (211.3 cm)	84.9" (215.6 cm)	LPPS-9 or 12*

* MPS (modular power strips) also available.

CHIEF ■ A DIVISION OF MILESTONE AV TECHNOLOGIES ■ www.chiefmfg.com
 USA ■ P 800.582.6480 / +1.952.894.6280 ■ F 877.894.6918 / +1.952.894.6918 ■ chief@chiefmfg.com
 Canada ■ P 877.345.4329 ■ F 888.377.5314 ■ info@chiefmounts.ca
 EMEA ■ P +31 40 23 24 700 ■ F +31 40 23 24 710 ■ europe.chief@milestone.com
 Asia Pacific ■ P +852 2145 4099 ■ F +852 2145 4477 ■ asia.chief@milestone.com