



Chief offers the largest line of top-quality universal and custom flat panel TV mounts worldwide. Designed for speed of installation, Chief mounts feature innovative designs that combine fast, trouble-free installation with easy-to-use functionality.

Are you a Chief Certified Partner?
Register at www.chiefmfg.com/certification.

www.chiefmfg.com

December 2010

FLAT PANEL MOUNTS

WHAT'S NEW

Thinstall™ Swing Arm Mounts (bottom right corner)



MODEL NUMBER KEY

VESA® (-V)

Model numbers ending in "V" are compatible with multiple VESA hole mounting patterns.

Universal (-U)

Model numbers ending in "U" are infinitely adjustable to adapt to a wide range of TVs.

Custom (-XXXX)

For a custom fit and/or custom hardware, mounts can be ordered with an interface designed for a particular TV model. Custom mounts are indicated by a 4-digit number at the end of the model number. See Chief's MountFinder Pro tool at www.chiefmfg.com for custom model numbers.

SPECIFICATION KEY

TV: TV Screen Size D: Depth from Wall C: Color
 PA: Plumb Adjustment E: Extension T: Tilt
 W: Weight Capacity HA: Height Adjustment

INTERFACE BRACKET KEY

To confirm interface bracket included with products, consult list below.



FSBV VESA Bracket
 For: FSRV, FTRV, FHSV,
 FWDV and FWDIW



JSBU Universal Bracket
 For: JHSU, JWDU and JWDIW



MSBU Universal Bracket
 For: MCSU, MWRU, MWRIW,
 MIWRFU, MFCU, MF1U,
 MFMU, MF2U and MFQU

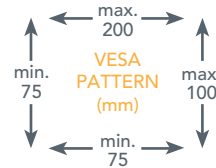


PSBU Universal Bracket
 For: PCSU, PDRU, PNRU,
 PWRIW, PNRIW, PIWRFU,
 PFCU, PF1U, PF2U, CM2L40U
 and CM2C40U

FIXED MOUNTS

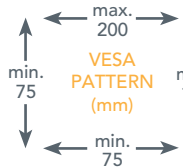
FSRV

TV: 10 - 32"
 W: 45 lbs (20.4 kg)
 D: 0.75" (19 mm)
 C: ■



FTRV

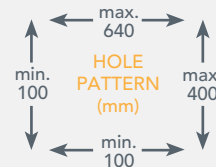
TV: 10 - 32"
 W: 45 lbs (20.4 kg)
 D: 1.95" (49 mm)
 T: +5°, -15°
 C: ■



*MSMU

FUSION Series

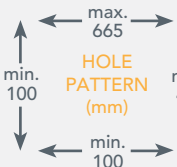
TV: 26 - 47"
 W: 125 lbs (56.7 kg)
 D: 1.96" (50 mm)
 C: ■



Also Available: MSMVU™ Pull-Out Mount

*MTMU

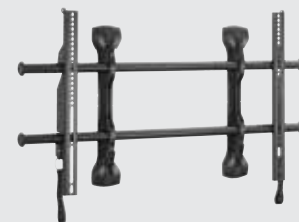
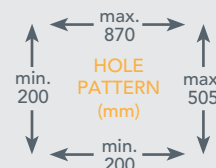
TV: 26 - 47"
 W: 125 lbs (56.7 kg)
 D: 1.99" (51 mm)
 T: 12°
 C: ■



*LSMU

FUSION Series

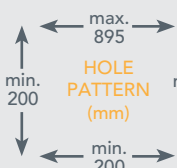
TV: 37 - 63"
 W: 200 lbs (90.7 kg)
 D: 1.96" (50 mm)
 C: ■



Also Available: LSMVU™ Pull-Out Mount

*LTMU

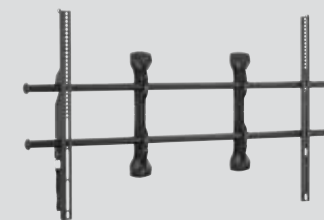
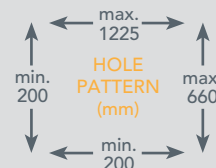
TV: 37 - 63"
 W: 200 lbs (90.7 kg)
 D: 1.99" (51 mm)
 T: 12°
 C: ■



XSMU

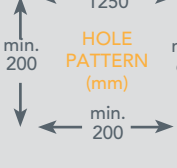
FUSION Series

TV: 55 - 75"
 W: 250 lbs (113 kg)
 D: 1.96" (50 mm)
 C: ■



XTMU

TV: 55 - 75"
 W: 250 lbs (113 kg)
 D: 1.99" (51 mm)
 T: 12°
 C: ■



* Also available: MSA, MTA, LSA, and LTA mounts (not equipped with ControlZone height adjustment)

TILT MOUNTS

CEILING MOUNTS

SWING ARM MOUNTS




max. 100

FHSV

TV: 10 - 32"
 W: 40 lbs (18.2 kg)
 T: ±15°
 C: ■ ■

max. 200
 min. 75
VESA PATTERN (mm)
 max. 100
 min. 75




Ceiling plate and column not included


FWDV

TV: 10 - 32"
 W: 40 lbs (18.2 kg)
 ** D: 2.17" (55 mm)
 T: ±15°
 E: 15.93" (404 mm)
 C: ■ ■

max. 200
 min. 75
VESA PATTERN (mm)
 max. 100
 min. 75



FUSION Series




max. 400

Also Available: MTAPU™ Portrait Mount

JHSU

TV: 26 - 45"
 W: 75 lbs (34 kg)
 T: ±15°
 C: ■ ■

max. 400
 min. 100
HOLE PATTERN (mm)
 max. 400
 min. 100




Ceiling plate and column not included

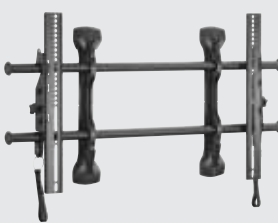
JWDU

TV: 26 - 45"
 W: 75 lbs (34 kg)
 ** D: 2.69" (68 mm)
 T: ±15°
 E: 20.38" (518 mm)
 C: ■ ■

max. 400
 min. 100
HOLE PATTERN (mm)
 max. 400
 min. 100



FUSION Series




max. 505

Also Available: LTAPU™ Portrait Mount

MCSU

TV: 30 - 55"
 W: 125 lbs (56.7 kg)
 T: +5°, -20°
 C: ■


max. 709
 min. 100
HOLE PATTERN (mm)
 max. 431
 min. 100



MWRU

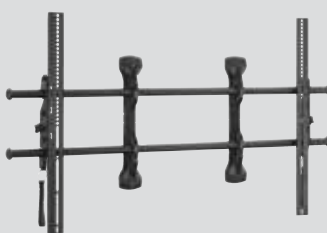
TV: 30 - 55"
 W: 125 lbs (56.7 kg)
 ** D: 3.38" (86 mm)
 T: +5°, -15°
 E: 24.88" (632 mm)
 C: ■ ■

max. 709
 min. 100
HOLE PATTERN (mm)
 max. 431
 min. 100



Also Available: PWRU

FUSION Series




max. 660

PCSU

TV: 42 - 71"
 W: 200 lbs (90.7 kg)
 T: +5°, -20°
 C: ■


max. 862
 min. 200
HOLE PATTERN (mm)
 max. 517
 min. 200



PDRU

TV: 42 - 71"
 W: 200 lbs (90.7 kg)
 ** D: 3.4" (86 mm)
 T: +5°, -17°
 E: 38.38" (949 mm)
 C: ■ ■

max. 862
 min. 200
HOLE PATTERN (mm)
 max. 517
 min. 200



Also Available: PNRU
 Extends 24.88 (632 mm)

IN-WALL ACCESSORIES

FAC501 *shown with FWDIW*

TV: 20 - 26"
 W: 40 lbs (18.2 kg)
 ** D: 0.11" (3 mm)
 T: ±15°
 E: 17.2" (437 mm)
 C: ■



Compatible with FWDIW Swing Arm

MAC501 *shown with JWDIW*

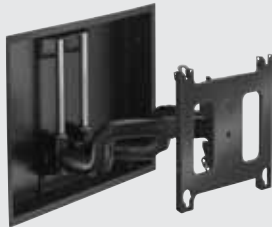
TV: 26 - 40"
 W: 75 lbs (34 kg)
 ** D: 0.11" (3 mm)
 T: ±15°
 E: 21.2" (538 mm)
 C: ■



Compatible with JWDIW Swing Arm
 Also Available: MIWRFU In-wall Swing Arm

PAC501 *shown with PNRIW*

TV: 42 - 71"
 W: 200 lbs (90.7 kg)
 ** D: 0.62" (16 mm)
 T: +5°, -15°
 E: 22.4" (569 mm)
 C: ■



Compatible with MWRIW™, PWRIW™ or PNRIW Swing Arm Mounts
 Also Available: PIWRFU™ In-wall Swing Arm

IN-WALL BOXES

PAC511



PAC516



PAC521P

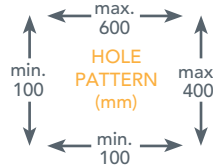


PAC511: Designed for retrofit installations
 PAC516: Designed for new construction or retrofit installations
 PAC521: Integrated power conditioning

THININSTALL™ SERIES

MTTU *For Ultra-Thin TVs (under 2" / 51 mm deep)*

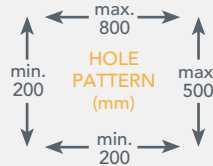
TV: 26 - 47"
 W: 100 lbs (45.4 kg)
 D: 0.75" (19 mm)
 T: 12°
 C: ■



MSTU Fixed Mount

LTTU *For Ultra-Thin TVs (under 2" / 51 mm deep)*

TV: 37 - 63"
 W: 100 lbs (45.4 kg)
 D: 0.75" (19 mm)
 T: 12°
 C: ■

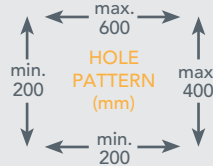


LSTU Fixed Mount

TS318TU

Coming Soon!

TV: 26 - 52"
 W: 75 lbs (34 kg)
 D: 1.3" (33 mm)
 HA: 1" (25 mm)
 E: 18" (457 mm)
 T: -15° C: ■

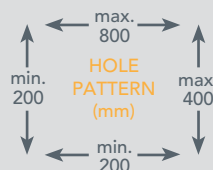


Also Available: TS318SU (18" single stud) and TS325TU (25" dual stud)

TS525TU

Available January 2011!

TV: 37 - 58"
 W: 125 lbs 56.7 kg)
 D: 1.5" (38 mm)
 HA: 1" (25 mm)
 E: 25" (635 mm)
 T: -15°
 C: ■

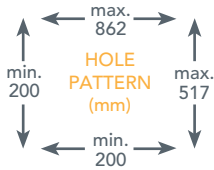


FLAT PANEL MOUNTS

MOBILE CARTS & STANDS

PFCU

TV: 42 - 65"
 W: 200 lbs (90.7 kg)
 HA: 4-6' (1.2 - 1.8 m)
 T: ±15°
 C: ■ ■



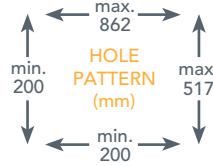
Confidence Monitor Carts

Also Available: MFCU, TV: 30 - 55"

AUTOMATED

CM2L40U *Pop-Up Lift*

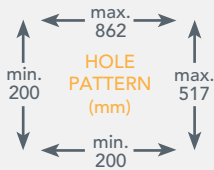
TV: 32 - 61"
 W: 170 lbs (77.1 kg)
 C: ■



Also Available: CM2C40U™ Drop Down Ceiling Lift

PF1U

TV: 42 - 65"
 W: 200 lbs (90.7 kg)
 HA: 4-7' (1.2 - 2.1 m)
 T: ±15°
 C: ■ ■

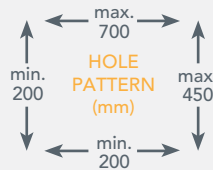


Back-to-Back Dual Screens Models

Also Available: MF1U, TV: 30 - 55"

PXRU *Swing Arm*

TV: 32 - 65"
 W: 150 lbs (68 kg)
 E: 27" (685 mm)
 C: ■



LANDSCAPE PULL-OUT WALL MOUNTS

MSMVU

FUSION Series

TV: 26 - 47"
 D: 3.7" (94 mm)
 E: 7" (178 mm)
 W: 125 lbs (56.7 kg)
 PA: 2.5°
 C: ■



Pulls out 7" for access behind TV

PORTRAIT PULL-OUT WALL MOUNTS

MSMVPU

FUSION Series

TV: 26 - 47"
 D: 3.7" (94 mm)
 E: 7" (178 mm)
 W: 125 lbs (56.7 kg)
 PA: 2.5°
 C: ■



Pulls out 7" for access behind TV

LSMVU

FUSION Series

TV: 37 - 63"
 D: 3.7" (94 mm)
 E: 7" (178 mm)
 W: 150 lbs (68 kg)
 PA: 2.5°
 C: ■



Pulls out 7" for access behind TV

LSMVPU

FUSION Series

TV: 37 - 63"
 D: 3.7" (94 mm)
 E: 7" (178 mm)
 W: 150 lbs (68 kg)
 PA: 2.5°
 C: ■

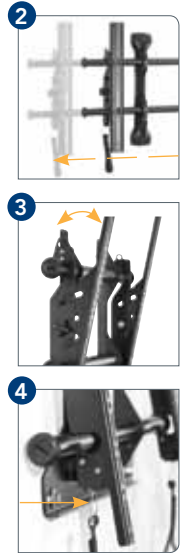


Pulls out 7" for access behind TV

INSTALLER-INSPIRED FEATURES

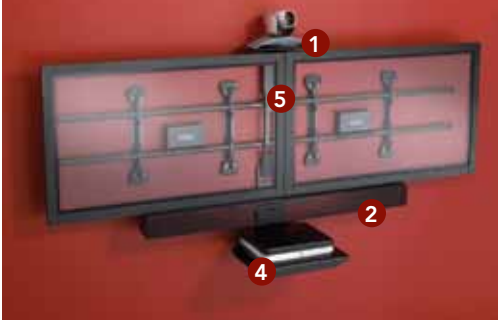
FUSION SERIES

- ControlZone™ Height & Roll Adjustment**
Fine-tune height and leveling after the mount is installed.
- Centerless™ Lateral Shift**
Get up to 16" (406 mm) of post installation lateral shift - 8" (203 mm) left/right of uprights.
- Centris™ Low-Profile Tilt**
Provides effortless tilting by using the center of gravity to balance the screen – no tools necessary!
- Clickconnect™ Tool-Less Latching**
Hear a click when the screen safely engages.



POPULAR FUSION SERIES ACCESSORIES^

VIDEO CONFERENCING



HOME THEATER



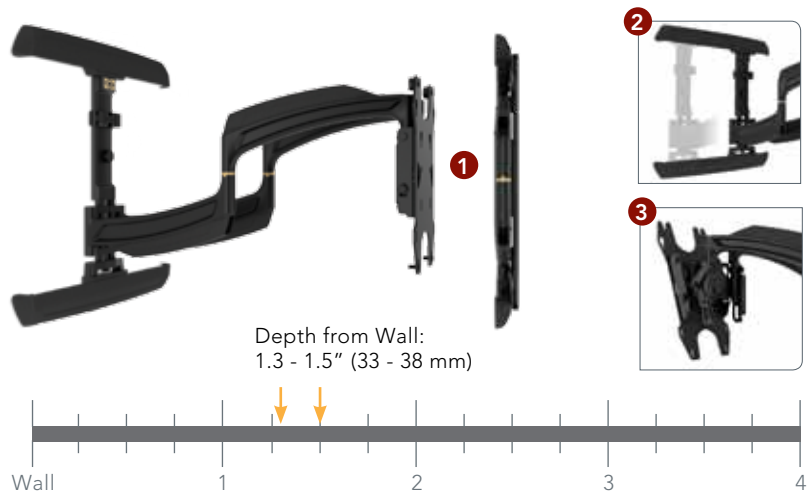
^ More component accessories available to view online.

* Can be used with FCS100, FCC100 or FVS100/150 shelves.

** FCK008 recommended when installing 37-42" screens on L-series of Fusion. All others can use the FCK016.

THINSTALL SERIES^

- Maximum Extension Range**
Arm extends up to 18 -25" (457 - 635 mm) and collapses to 1.3 - 1.5" (33 - 38 mm) providing an ultra-low profile for all types of TVs and displays.
- Centerless™ Lateral Shift**
Get up to 16" (406.4 mm) of post-installation shift for limitless centering possibilities.
- Centris™ Low-Profile Fingertip Tilt**
Provides up to 15° of effortless fingertip tilt to achieve the ultimate viewing angle.



^ More features and component accessories available to view online.

CHIEF® ■ A DIVISION OF MILESTONE AV TECHNOLOGIES ■ www.chiefmfg.com
 USA ■ P 800.582.6480 / +1.952.894.6280 ■ F 877.894.6918 / +1.952.894.6918 ■ chief@chiefmfg.com
 Canada ■ P 877.345.4329 ■ F 888.377.5314 ■ info@chiefmounts.ca
 EMEA ■ P +31 40 23 24 700 ■ F +31 40 23 24 710 ■ europe.chief@milestone.com
 Asia Pacific ■ P +852 2145 4099 ■ F +852 2145 4477 ■ asia.chief@milestone.com

©2010 Milestone AV Technologies, a Duchossois Group Company. 100041i 11/10. Chief is a registered trademark of Milestone AV Technologies. All other brand names or marks are used for identification purposes and are trademarks of their respective owners. All patents are protected under existing designations. Other patents pending.