

FUSION® SERIES FLAT PANEL PULL-OUT MOUNTS

PULL-OUT MOUNTS WITH CONTROLZONE

The new FUSION Series Pull-Out mounts extend 7" (178 mm) for easy cable access and servicing in hard-to-reach installations – even on the center screen of a video wall matrix.

Available in landscape and portrait orientations.



VIDEO WALL



SPECIFICATIONS

Model	TV Size Range	Extension Range	Plumb Adjust	Centerless Lateral Shift*	Max Mounting Pattern (H,W)	Weight Capacity
Pull-Out Mounts with ControlZone – Landscape						
MSMVU	26–47"	3.7 - 10.7" (94 - 272 mm)	1.8°	14.5" (368 mm)	15.75" (400 mm), 21.25 (540 mm)	125 lbs (56.7 kg)
LSMVU	37–63"	3.7 - 10.7" (94 - 272 mm)	1.8°	17.5" (445 mm)	19.88" (505 mm), 30.0" (760mm)	150 lbs (68 kg)
Pull-Out Mounts with ControlZone – Portrait						
MSMVPU	26–47"	3.7 - 10.7" (94 - 272 mm)	2.5°	4.63" (117 mm)	23.62" (600 mm), 15.75" (400 mm)	125 lbs (56.7 kg)
LSMVPU	37–63"	3.7 - 10.7" (94 - 272 mm)	2.5°	5.63" (143 mm)	31.5" (800 mm), 15.75" (400mm)	150 lbs (68 kg)

*Maximum lateral shift shown. Range varies with screen mounting pattern and stud placement.

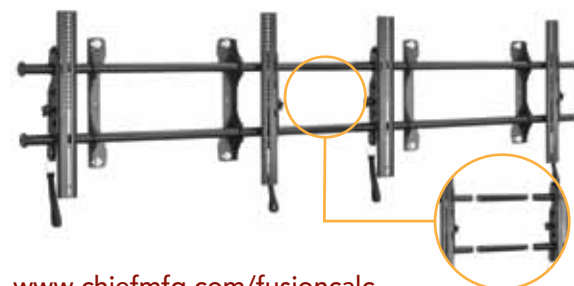
INSTALLER'S CORNER

Tips for Installing a Video Wall with FUSION Pull-Out Mounts

- Vertical distance between the mounts should equal the height of the screen being installed; horizontal distance between the mounts should be roughly equal to the width of the screen.
- Utilize ControlZone to fine tune placement of each row, and then adjust the plumb as necessary.
- Slide screens apart using Centerless lateral shift to access, pull out, maintain and remove screens.

Video Wall and Menu Board App

Calculate the mounts and connector kits needed for your next multi-screen installation!



www.chiefmfg.com/fusioncalc

FUSION® SERIES ACCESSORIES

CUSTOMIZE YOUR INSTALL

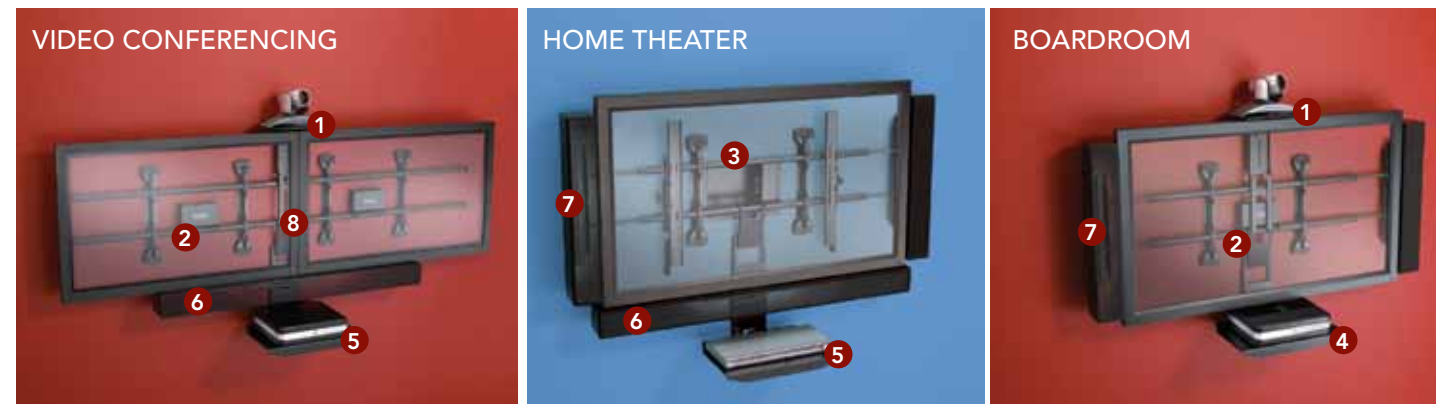
A full line of supporting accessories can be integrated with FUSION Fixed & Tilt Wall Mounts, extending the same adjustment benefits to the entire configuration. Mix and match accessories with any FUSION mount to the perfect installation in every application.

- Compatible with most FUSION mounts
- Can be used together for a complete customized system
- Connects to the rail of the mount without adding depth
- Accessory adjustment ranges accommodates medium to extra large TV sizes



- FVS100™ / FVS150™**
8" and 12" Video Conferencing Shelves - below
- FVS200™ / FVS250™ / FVS251™**
8", 12" and 14" Video Conferencing Shelves - above
- FVS300™ / FVS350™ ***
8" and 12" Video Conferencing Shelves - between two screens
- FCA100™ / FCA102™**
CAT 5/Surge/CPU Adapters
- PAC521P™**
In-Wall Power Box
- FCS100™**
Single Component Shelf - below
- ** FCD100™**
Additional Component Shelf - below
- FCC100™**
Center Channel Speaker Adapter
- FLR100™**
Left/Right Speaker Adapter
- * FCK000™ / FCK008™ / FCK016™**
0", 8" and 16" Connector Kits
- FCA101™**
Pole and screen lock-down collars

* Visit www.chiefmfg.com/fusioncalc to calculate the mounts and connector kits needed for multi-screen installations.
FCK008 or FCK016 required when using FVS300 or FVS350 shelves.
** Can be used with FCS100, FCC100 or FVS100/150 shelves.



For more information on these and other products from Chief, visit www.chiefmfg.com.

CHIEF® A DIVISION OF MILESTONE AV TECHNOLOGIES www.chiefmfg.com
 USA P 800.582.6480 / +1.952.894.6280 F 877.894.6918 / +1.952.894.6918 chief@chiefmfg.com
 Canada P 877.345.4329 F 888.377.5314 info@chiefmounts.ca
 EMEA P +31 40 23 24 700 F +31 40 23 24 710 europe.chief@milestone.com
 Asia Pacific P +852 2145 4099 F +852 2145 4477 asia.chief@milestone.com

©2010 Milestone AV Technologies, a Duchossois Group Company. 800205E 11/10. Chief is a registered trademark of Milestone AV Technologies. All other brand names or marks are used for identification purposes and are trademarks of their respective owners. All patents are protected under existing designations. Other patents pending.

CHIEF®

FUSION® SERIES flat panel mounting solutions



FUSION fixed, tilt and pull-out mounts are engineered to solve tough installation problems such as leveling and stud location. Installer-inspired features make installation and maintenance safe and easy. A full line of accessories are available to customize your AV configuration in any application.

www.chiefmfg.com ■ www.fusionmounts.com

FUSION

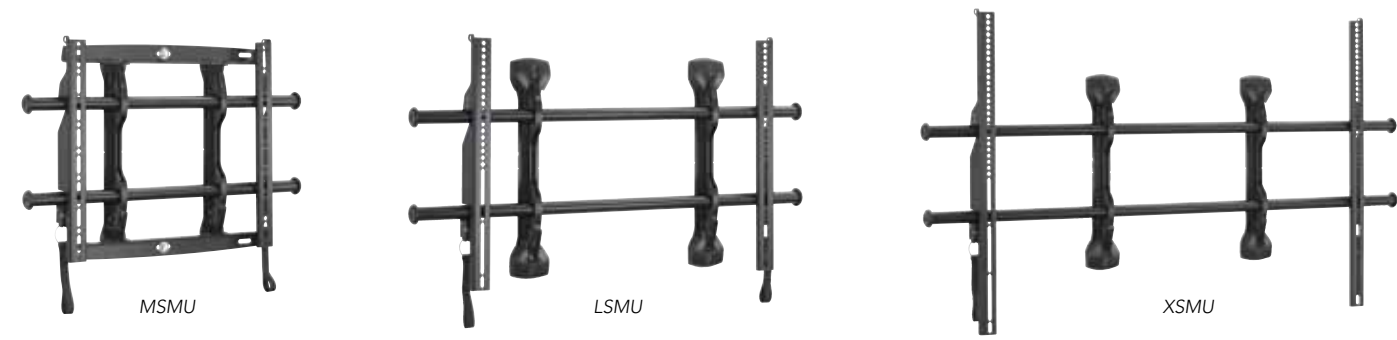
Take control of your installation with FUSION fixed and tilt mounts. These universal, low-profile mounts are engineered for speed of installation and usability. From a single TV to a video wall matrix for digital signage, FUSION mounts are the perfect solution for many applications.



TIME-SAVING FEATURES

- CONTROLZONE™ HEIGHT & ROLL ADJUSTMENT**
This industry-first feature allows post-installation fine-tuning of height and leveling by inserting an Allen key into the ports at the top of the wall plate uprights. Adjustments are applied to the entire configuration, not just the TV.
- CENTERLESS™ LATERAL SHIFT**
Get up to 16" (406 mm) of post-installation lateral shift - 8" (203 mm) left/right of uprights.
- CENTRIS® LOW-PROFILE TILT**
Provides effortless tilting by using the center of gravity to balance the screen - no tools necessary!
- CLICKCONNECT® TOOL-FREE LATCHING**
Hear an audible click when the screen safely engages with the mount. Use the built-in cable stand to gain easy access under the screen.

FIXED MOUNTS with ControlZone Height and Leveling Adjustment



TILT MOUNTS with ControlZone Height and Leveling Adjustment

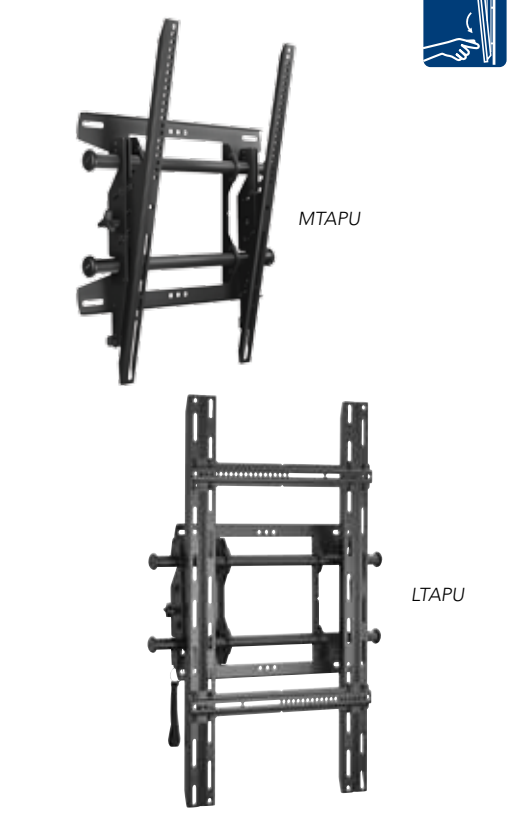


SPECIFICATIONS

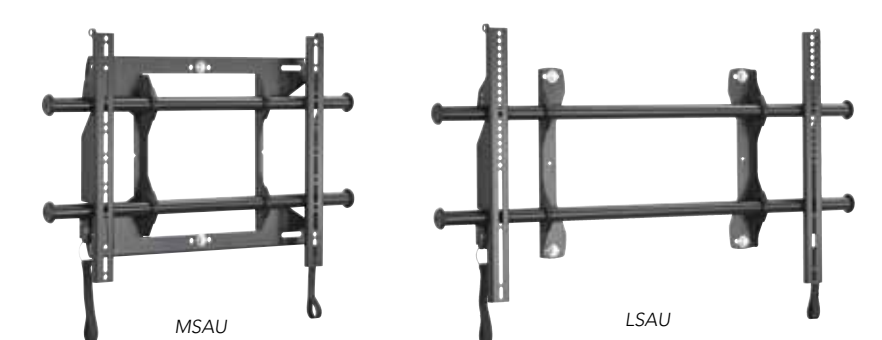
Model	TV Size Range	Depth from Wall	Centerless Lateral Shift*	Centris Low-Profile Tilt	Max Mounting Pattern (H,W)	Weight Capacity (single stud, dual stud)
Fixed & Tilt Mounts with ControlZone						
MSMU	26 - 47"	1.96" (50 mm)	14.5" (368 mm)	-	15.75" (400 mm), 25.2" (640 mm)	75 lbs (34 kg), 125 lbs (56.7 kg)
MTMU	26 - 47"	1.99" (51 mm)	14.5" (368 mm)	0-12°	15.75" (400 mm), 26.18" (665 mm)	75 lbs (34 kg), 125 lbs (56.7 kg)
LSMU	37 - 63"	1.96" (50 mm)	17.5" (445 mm)	-	19.88" (505 mm), 34.25" (870 mm)	200 lbs (90.7 kg)
LTMU	37 - 63"	1.99" (51 mm)	17.5" (445 mm)	0-12°	19.88" (505 mm), 35.35" (895 mm)	200 lbs (90.7 kg)
XSMU	55 - 75"	1.96" (50 mm)	23.5" (597 mm)	-	25.98" (660 mm), 48.23" (1225 mm)	250 lbs (113 kg)
XTMU	55 - 75"	1.99" (51 mm)	23.5" (597 mm)	0-12°	25.98" (660 mm), 49.21" (1250 mm)	250 lbs (113 kg)

*Varies with screen mounting pattern and stud placement.

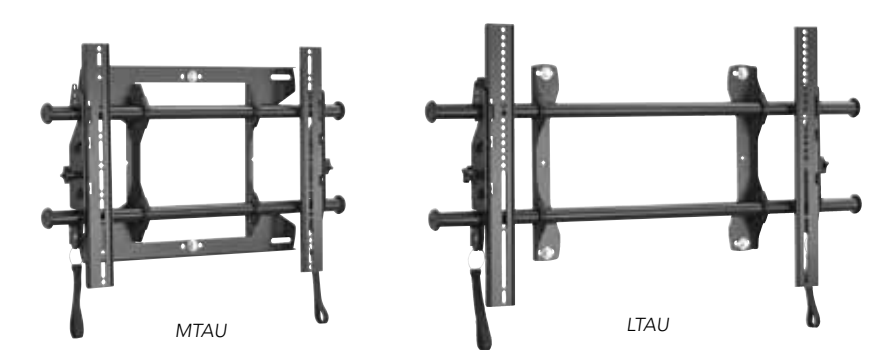
PORTRAIT TILT MOUNTS



FIXED MOUNTS



TILT MOUNTS



SPECIFICATIONS

Model	TV Size Range	Depth from Wall	Centerless Lateral Shift*	Centris Low-Profile Tilt	Max Mounting Pattern (H,W)	Weight Capacity
Portrait Tilt Mounts						
MTAPU	26 - 47"	2.4" (61 mm)	8.5" (216 mm)	+3°/-10°	23.6" (600 mm), 18.11" (460 mm)	125 lbs (56.7 kg)
LTAPU	37 - 63"	2.56" (65 mm)	11.5" (292 mm)	+3°/-10.5°	31.5" (800 mm), 20.67" (525 mm)	200 lbs (90.7 kg)
Fixed & Tilt Mounts						
MSAU	26 - 47"	1.96" (50 mm)	14.5" (368 mm)	-	15.75" (400 mm), 25.2" (640 mm)	75 lbs (34 kg), 125 lbs (56.7 kg)
MTAU	26 - 47"	1.99" (51 mm)	14.5" (368 mm)	0-12°	15.75" (400 mm), 26.18" (665 mm)	75 lbs (34 kg), 125 lbs (56.7 kg)
LSAU	37 - 63"	1.96" (50 mm)	17.5" (445 mm)	-	19.88" (505 mm), 34.25" (870 mm)	200 lbs (90.7 kg)
LTAU	37 - 63"	1.99" (51 mm)	17.5" (445 mm)	0-12°	19.88" (505 mm), 35.35" (895 mm)	200 lbs (90.7 kg)

*Varies with screen mounting pattern and stud placement.